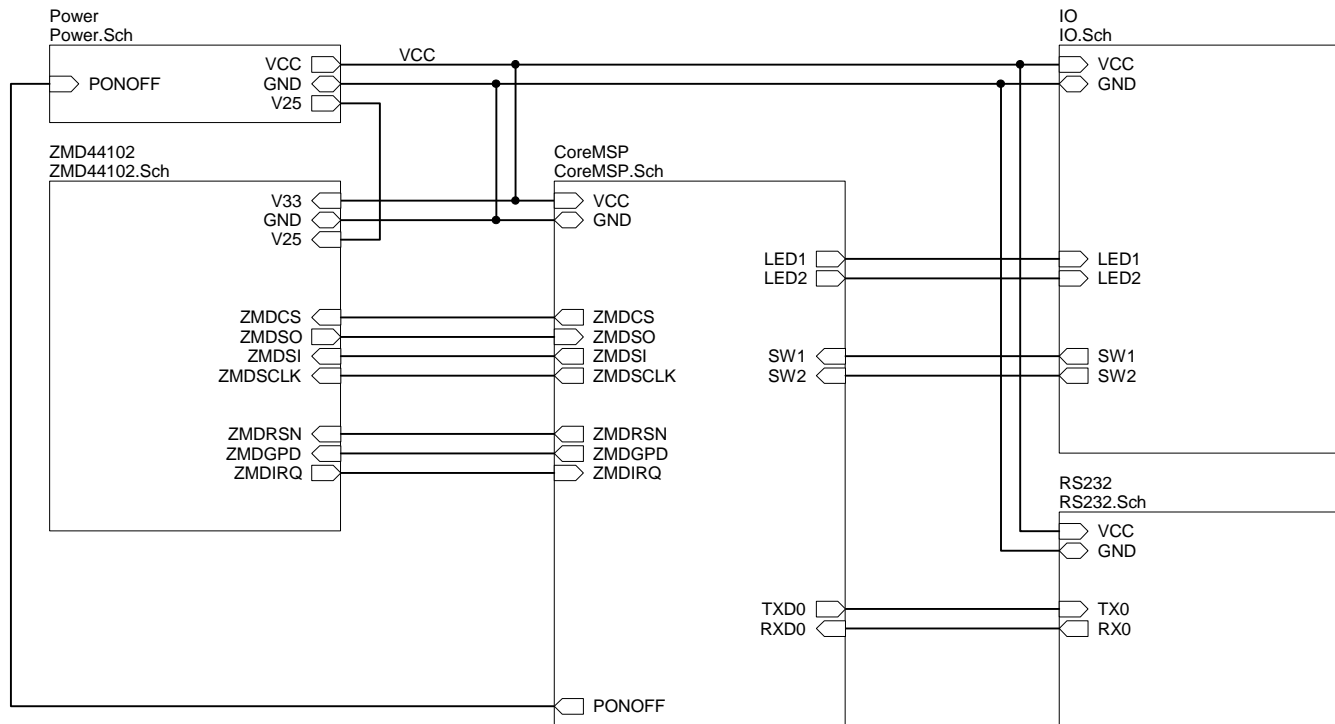
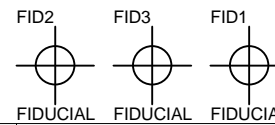


ZMD 915 MHz RF Demo Board

DZMD1611/DZMD1612



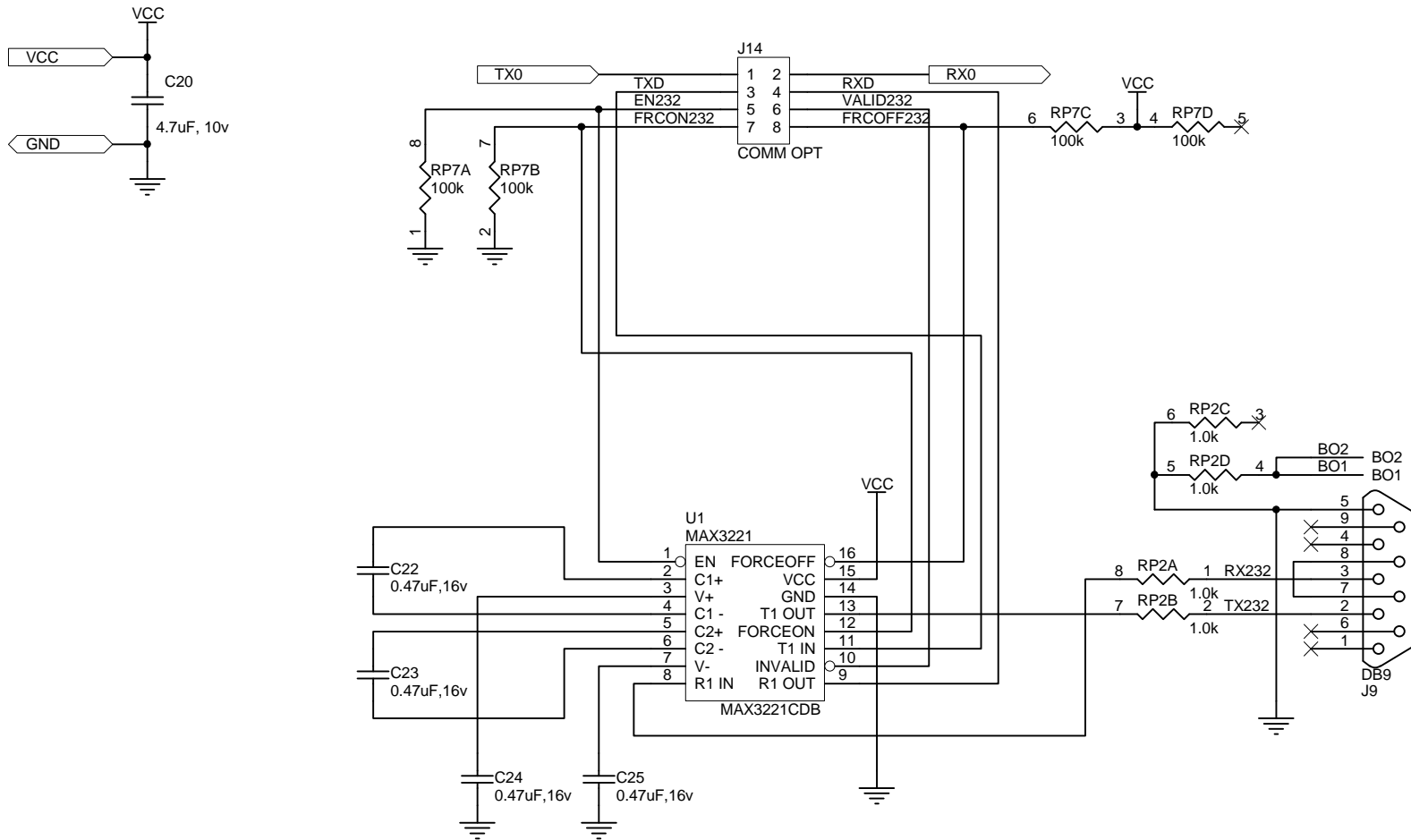
LOGO LOGO
LOGO2LOGO1



SoftBaugh
 www.softbaugh.com 800 794-5756
 Copyright (c) SoftBaugh, Inc., 1999-2003.
 Do not reproduce or distribute without permission.
 Sheet: ZMD 915 MHz RF Demo Board
 Project: DZMD1611/DZMD1612
 Date: 22-Mar-2006 1 of 7 v. 1.0

RS232 Interface

DZMD1611/DZMD1612



SoftBaugh

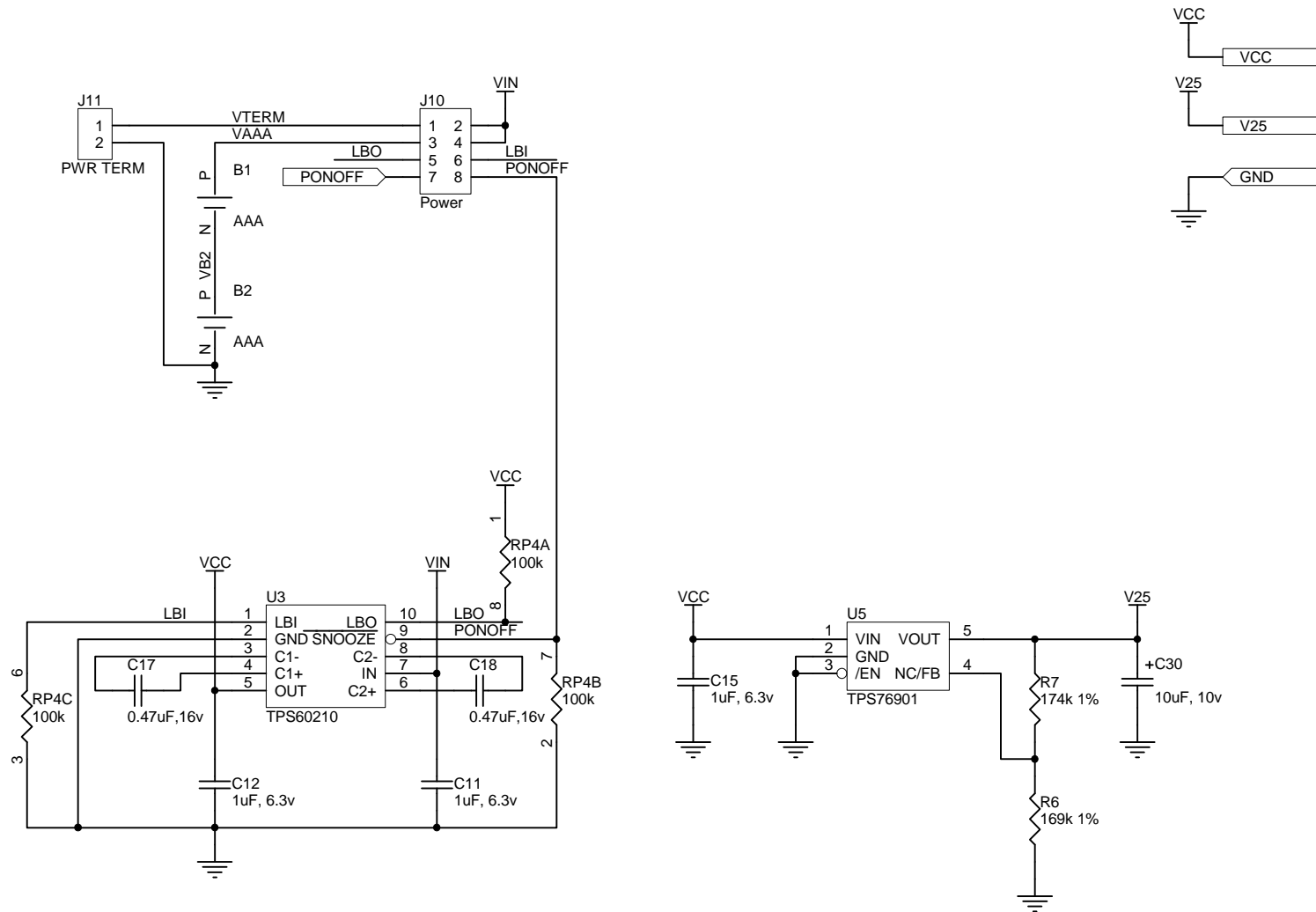
www.softbaugh.com 800 794-5756
 Copyright (c) SoftBaugh, Inc., 1999-2003.
 Do not reproduce or distribute without permission.

Sheet: RS232 Interface
Project: DZMD1611/DZMD1612
Date: 22-Mar-2006

2 of 7 v. 1.0

Power Supplies

DZMD1611/DZMD1612



SoftBaugh

www.softbaugh.com 800 794-5756

Copyright (c) SoftBaugh, Inc., 1999-2003.

Do not reproduce or distribute without permission.

Sheet: Power Supplies

Project: DZMD1611/DZMD1612

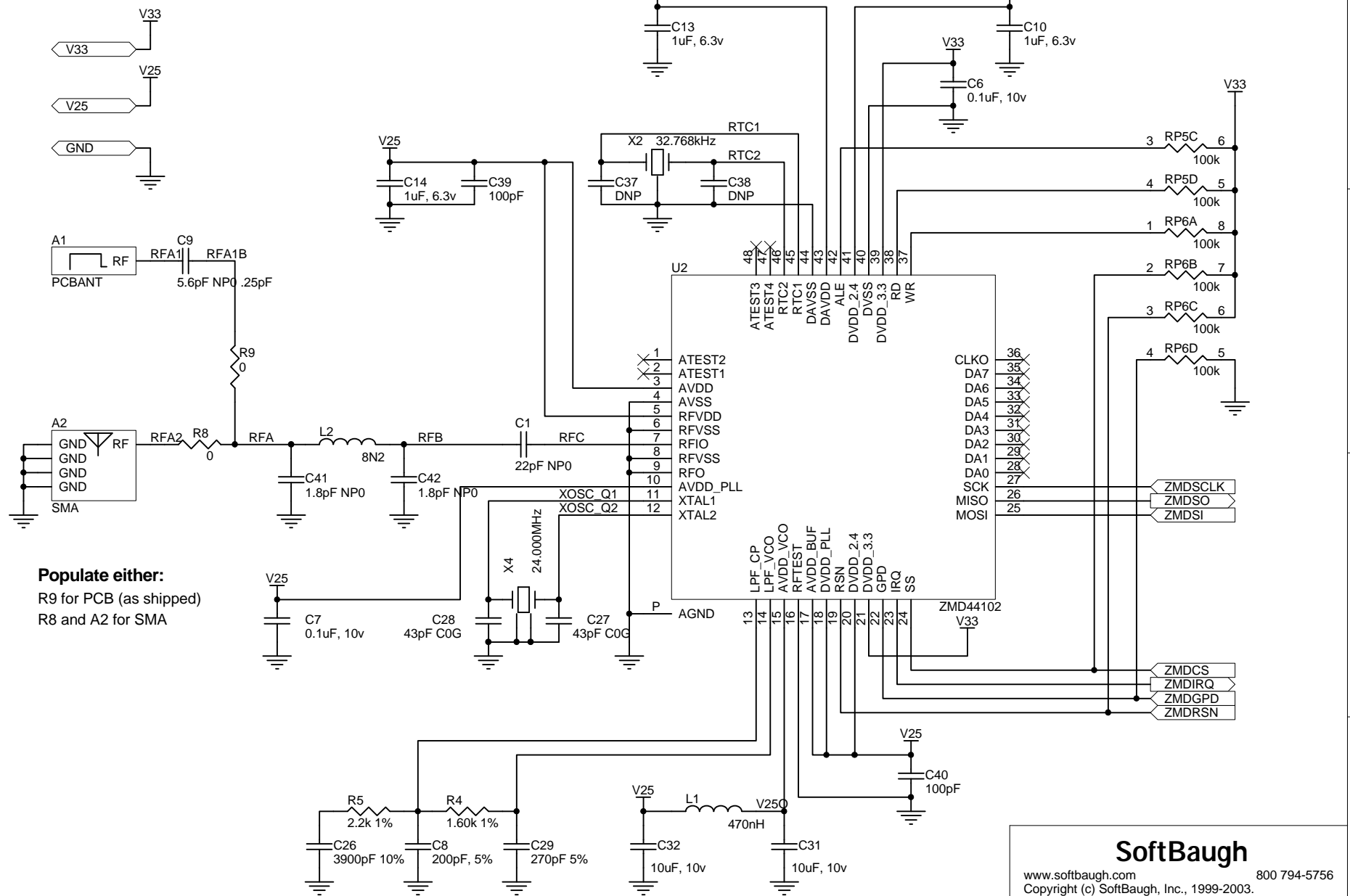
Date: 22-Mar-2006

3 of 7

v. 1.0

ZMD44102

DZMD1611/DZMD1612



Populate either:
 R9 for PCB (as shipped)
 R8 and A2 for SMA

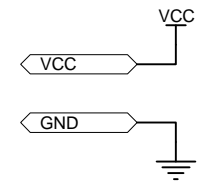
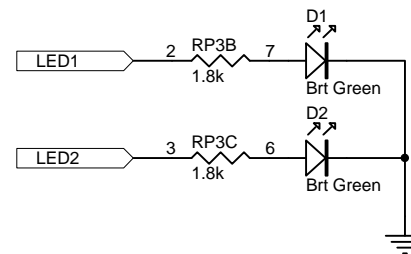
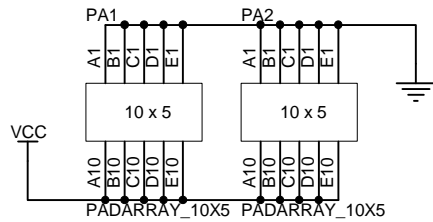
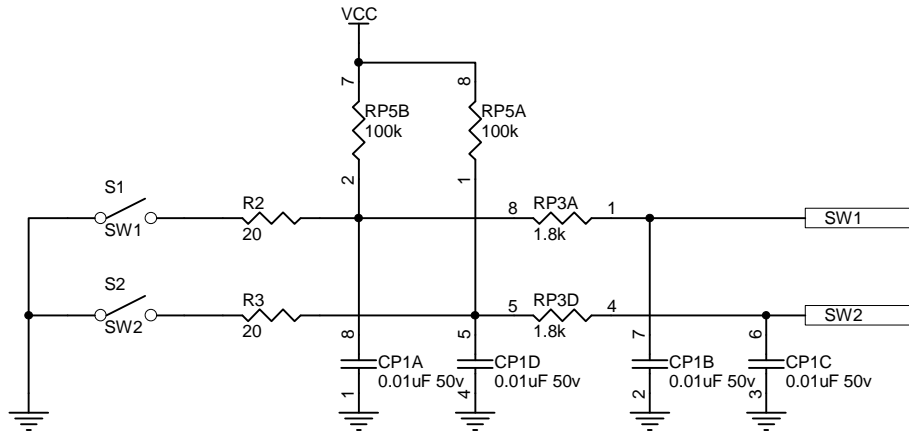
SoftBaugh

www.softbaugh.com 800 794-5756
 Copyright (c) SoftBaugh, Inc., 1999-2003.
 Do not reproduce or distribute without permission.

Sheet: ZMD44102			
Project: DZMD1611/DZMD1612			
Date: 22-Mar-2006	4	of 7	v. 1.0

Input/Output

DZMD1611/DZMD1612



SoftBaugh

www.softbaugh.com 800 794-5756

Copyright (c) SoftBaugh, Inc., 1999-2003.

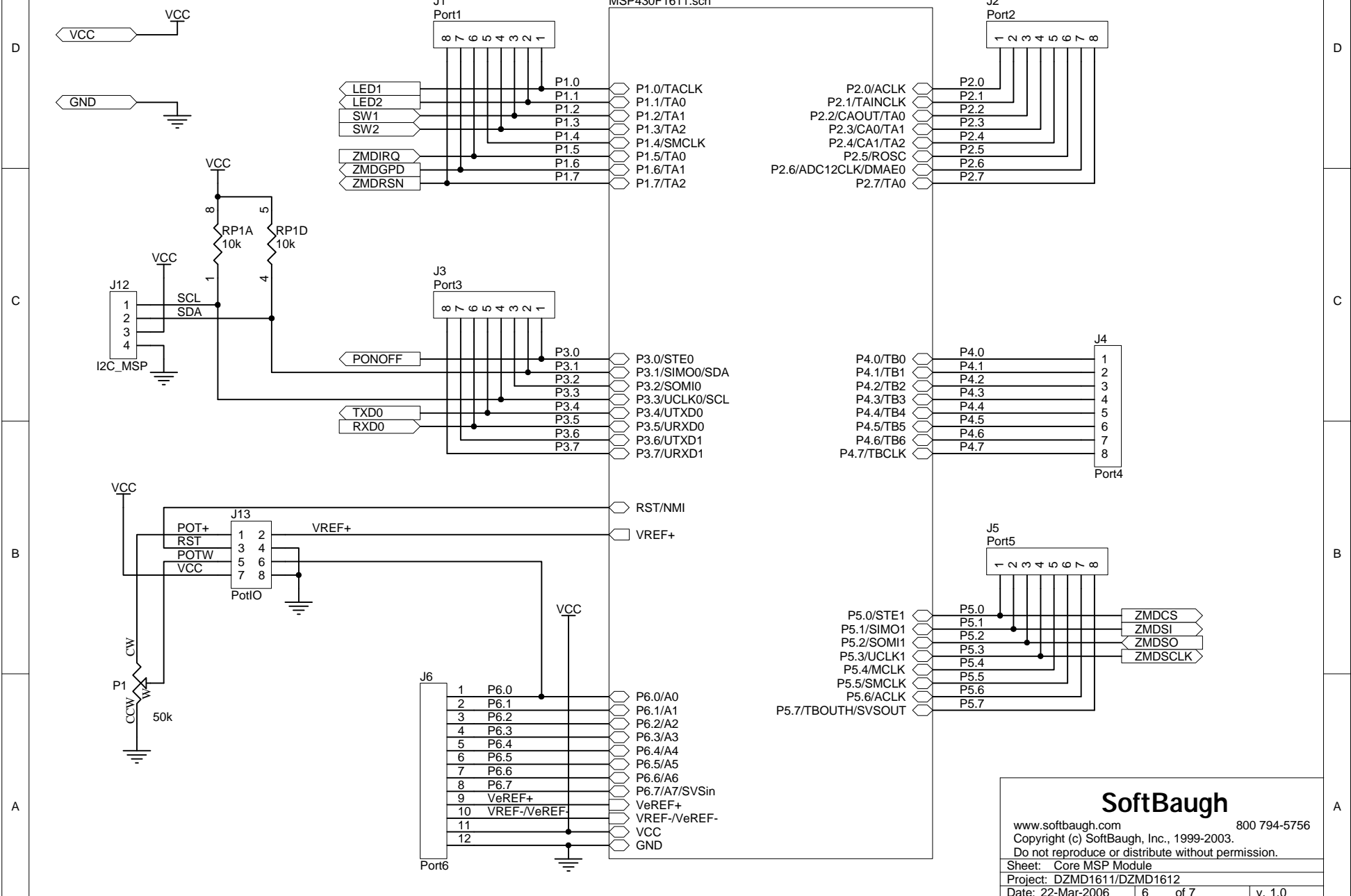
Do not reproduce or distribute without permission.

Sheet:	Input/Output
Project:	DZMD1611/DZMD1612
Date:	22-Mar-2006
	5 of 7
	v. 1.0

Core MSP Module

DZMD1611/DZMD1612

MSP430F1611
MSP430F1611.sch



SoftBaugh

www.softbaugh.com 800 794-5756
 Copyright (c) SoftBaugh, Inc., 1999-2003.
 Do not reproduce or distribute without permission.

Sheet: Core MSP Module	
Project: DZMD1611/DZMD1612	
Date: 22-Mar-2006	6 of 7 v. 1.0

